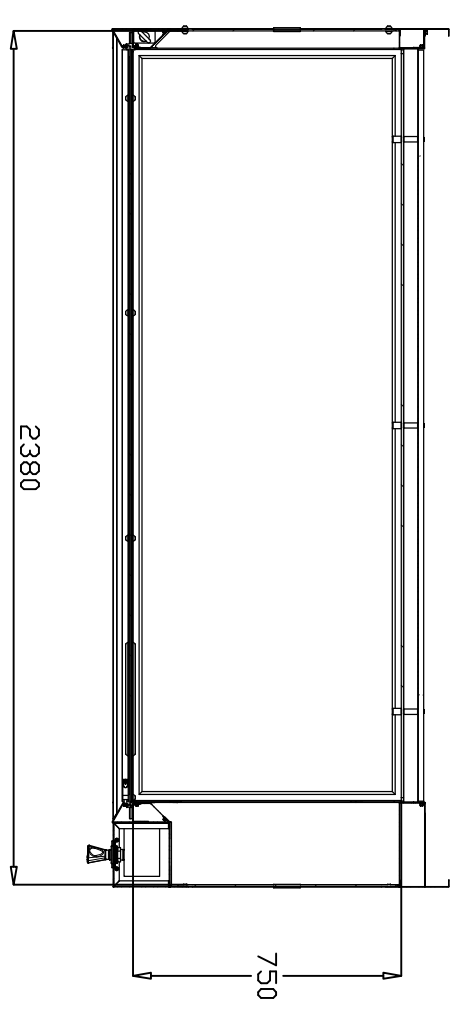
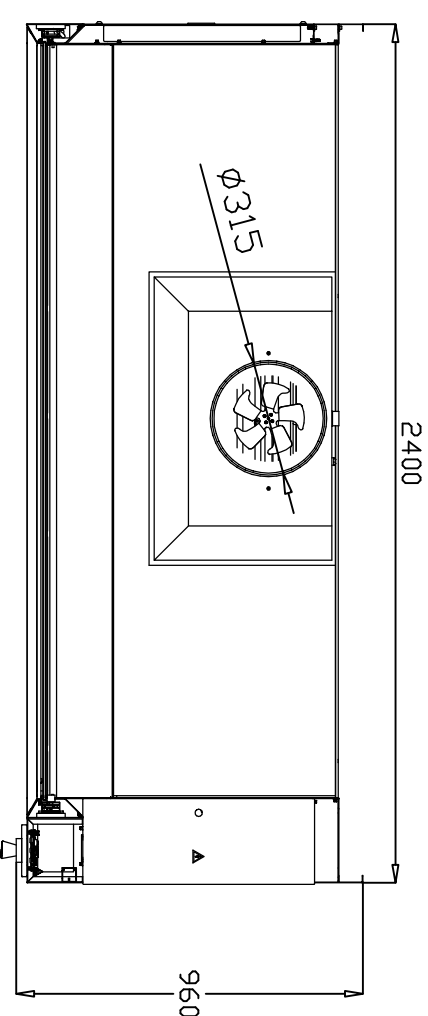


SECTION A-A



SECTION B-B

**Chemfast Classic/ Sharp 24**  
 Worktop in stone with edge profile measure  
 LXPXH: 2100x750x28 mm  
 External dimension :  
 LXPXH: 2400x960x2300 mm  
 Useful dimension  
 LXPXH: 2380x750x1200 mm

Riproduzione vietata		CLIENT	DASIT GROUP	
DRAW	DATE	OBJECT	CHEMFAST CLASSIC SHARP 24	
FC	20/11/17			
VERIFY	DATE			
PB	20/11/17			
MOD. CD_703	REV.01	DATA	24/09/2012	
SCALE		REV.	DEL.	
1:25		00	01/01/19	
CODE		000-2019		
XXXXXXXXXX				