

# OPERATION MANUAL



## **LLG-uniTEXER 1 pro**

Thank you very much for purchasing  
this LLG-uniTEXER 1 pro.

Please read the following instructions carefully  
and always keep this manual within easy reach.

## Contents

<b>1. Inroducton</b>	<b>2</b>
<b>2. Intended use</b>	<b>2</b>
<b>3. Features</b>	<b>3</b>
<b>4. Technical Specifications</b>	<b>3</b>
<b>5. Safety Precautions</b>	<b>4</b>
<b>6. Standard Part Listing</b>	<b>4</b>
<b>7. Operation</b>	<b>5</b>
<b>8. Maintenance &amp; Cleaning</b>	<b>5</b>
<b>9. Troubleshooting</b>	<b>6</b>
<b>10. Accessories</b>	<b>6</b>
<b>11. Warranty</b>	<b>7</b>

## 1. Inroducton

This LLG-uni*TEXER* 1 pro comes with a powerful DC motor with an orbital motion of 4.5 mm.

## 2. Intended use

The LLG-uni*TEXER* 1 pro is used in laboratories for the general mixing of applications in individual test tubes, up to a 30 mm diameter.

### 3. Features

- Touch Operation – can handle plastic tubes of up to 30 mm in diameter
- Extremely small footprint
- 4.5 mm orbital motion
- Suction cups for proper grip
- Low voltage power supply
- Suspension design for longer switch life
- Variable speed for gentle to vigorous mixing (Variable model)

### 4. Technical Specifications

Specifications	LLG-uniTEXER 1 pro
Motor type	DC
Type of movement	Orbital
Maximum Speed	2000-4200 RPM
Shaker diameter	4.5 mm
Tube diameter	Up to 30 mm
Speed Accuracy	± 250 RPM
Operation Type	Touch
Protection class	IP 43
Permissible ambient temperature	4 °C to 45 °C
Weight	0.75 Kg
Permissible relative moisture	<80 %
Noise Level	<50 dB
Dimensions (L x W x H)	120 x 120 x 103 mm
Power adapter detail	Input: 100-240 VAC, 50/60 Hz Output: 24 V, 1.5 A
Power Consumption	9 W
Altitude	Use up to an altitude of 2000 m above MSL
Environment	For indoor use only

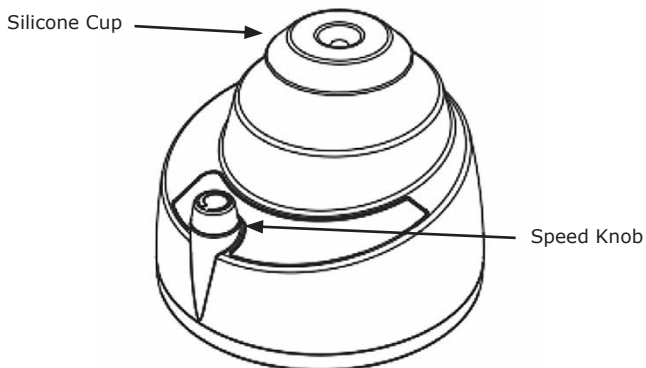
## 5. Safety Precautions



**Read the following safety instructions before using the mini vortex mixer for your safety & the safety of the equipment.**

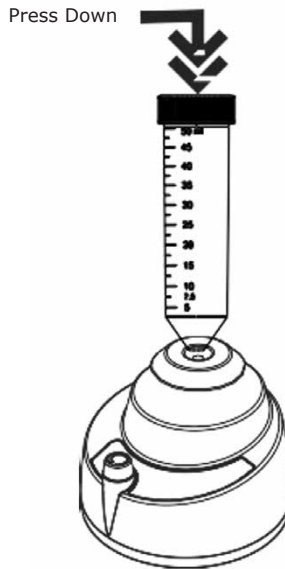
- Gently take the mini vortex mixer out of the packaging box and place it on a flat, stable, clean, non - slippery surface.
- Do not lift or hold the device from the power cable.
- This mini vortex mixer is to be used to mix material that the user knows will not react dangerously to any extra energy produced from mixing.
- The mini vortex mixer should be used for the specified application only. It must not be operated in a hazardous or flammable environment and must not be used to mix explosive or highly reactive material.
- Users should always use covered test tubes. Overfilling of liquid may cause the medium to splash out.
- Caution: The equipment will restart, both in case of power interruption and in case of any fault or mechanical interruption. Care should be taken based on the sample used for mixing.
- Always use tubes up to 30 mm in diameter for best result and product safety.

## 6. Standard Part Listing



## 7. Operation

Operation starts automatically when the soft rubber cup is pressed down using the test tube (as shown in image) and stops once the test tube is removed. In the variable speed mini vortex mixer, rotate the speed knob to increase or decrease the speed between 2000 to 4200 RPM. In the fixed speed mini vortex mixer it will provide fixed 4200 RPM.



## 8. Maintenance & Cleaning

- While cleaning, the product must not be plugged in to the power supply.
- The entire unit should be wiped down periodically with a soft cloth. Excessive amount of liquid should be avoided. Liquid should not come in contact with the motor.
- After cleaning, ensure that all parts are dried before re-use.
- Do not use the unit if it shows signs of mechanical or electrical damage. Do not use the equipment if the rubber cup or suction cup is damaged. In such case, see warranty & contact manufacturing if applicable
- The motor in the mini vortex mixer doesn't require routine maintenance. Any required service should be performed by authorized, qualified personnel only.

## 9. Troubleshooting

Vortex Action	Problem	Solution
Partially Working (stops in between)	Small bottom screw might have loosened. Need to adjust	Tighten the small bottom screw (1/2 or 1 turns max)
Not working at all. (completely stopped)	Small bottom screw might have loosened. Need to tighten	Tighten the small bottom screw (1 or 2 turns max)
Continuously working (run without press)	Small bottom screw might have tightened. Need to loosen.	Loosen the small bottom screw (1 or 2 turns max)



Small bottom screw at the base of device pointed by an arrow



**Note:**

If after implementation of the required solution does not produce normal vortex action, contact service representative.

## 10. Accessories

Teilecode	Description
6.263 509	LLG-uniTEXER 1 pro, with universal plug
6.263 492	Silicone cap for LLG-uniTEXER 1 pro

## 11. Warranty

This product is warranted to be free from defects in material and workmanship for a period of three (3) years from date of purchase.

This warranty is valid only if the product is used for its intended purpose and within the guidelines specified in this instruction manual. This warranty does not cover damage caused by accident, neglect, misuse, improper service, natural forces or other causes not arising from defects in original material or workmanship. This warranty does not cover any incidental or consequential damages, commercial loss or any other damages from the use of this product.

The warranty does not cover damage to paint or finish and defects or damages caused by physical and chemical abuse or normal wear and tear. The warranty is invalidated by any nonfactory modification, which will immediately terminate all liabilities on us for the products or damages caused by its use. The buyer and its customer shall be responsible for the product or use of products as well as any supervision required for safety. If requested the products must be returned to the distributor in well packed and insured manner and all shipping charges must be paid.

Information on the disposal of electrical and electronic devices in the European Community:

The disposal of electrical devices is regulated within the European Community by national regulations based on the European Directive 2012/19/EU on waste electrical and electronic equipment (WEEE). According to these regulations, any devices supplied after 13.06.2005 in the business to business sphere, to which this product is assigned, may no longer be disposed of in municipal or domestic waste. They are marked with the following symbol to indicate this. As disposal regulations within the EU may vary from country to country, please contact your supplier if necessary.

### PRODUCT DISPOSAL



In case the product is to be disposed of, the relevant legal regulations are to be followed.



**Lab Logistics Group GmbH**  
Am Hambuch 1  
D-53340 Meckenheim/Germany

Fon: +49 (0)2225 9211- 0  
Fax: +49 (0)2225 9211-11

[www.llg-labware.com](http://www.llg-labware.com)  
[info@llg-labware.com](mailto:info@llg-labware.com)